

VAL-PD-4MP-VIR-S

SYSTEM OVERVIEW

Pro series products by upgrading H.265 encoding technology, bringing high efficient video compression. It saves bandwidth and storage, energy-saving design to enhance the monitoring system.

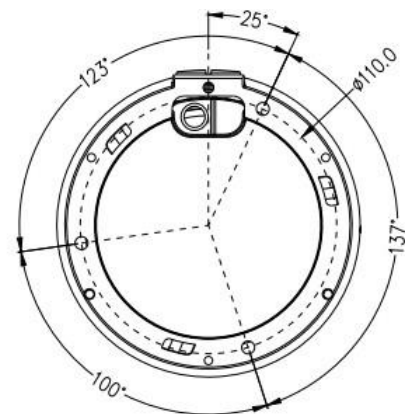
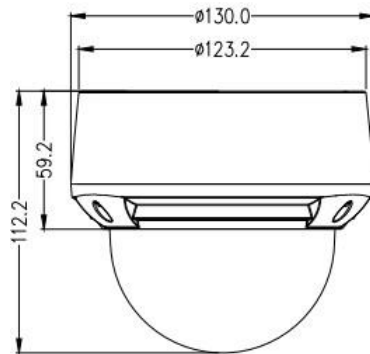
The series offers features such as starlight, Smart IR technology, intelligent image analysis techniques. It provides excellent image quality and intelligent and efficient event reminders.

This series provides IP67 weatherproof and IK10 vandal-proof protection feature.



- 4MP Motorized Vandal Network IR Dome
- 1/3" Progressive Scan CMOS
- Motorized lens 2.7~12mm
- 25fps/30fps@4MP(2592*1520)
- Triple Streams
- Smart IR Up to 30m
- Low bitrate, Excellent low light performance
- WDR, 3D DNR
- ROI, Defog, HLC, Corridor mode, DIS
- IP67,IK10

DIMENSION



- Measurement is in millimeter (mm)



TECHNICAL SPECIFICATION

Camera	
Image Sensor	1/3" Progressive Scan CMOS
Effective Pixels	2592(H)×1520(V)
Scanning System	Progressive
Electronic Shutter	1/5-1/20000s
Min. illumination	Color:0.05Lux@(F1.2,AGC ON) B/W:0Lux@(IR LED ON)
S/N Ratio	55dB
IR Range	Up to 30m
IR On/Off Control	Auto/ Manual
IR LEDs	15pcs
Pan/Tilt/Rotation Range	Pan:0°~355°, Tilt:0°~80°, Rotation:0°~355°
Lens	
Lens Type	Motorized
Iris	Auto Iris
Focal Length	2.7~12mm
F Number	F1.3
Angle of View	100°~ 30°
Focus Control	Motorized
Close Focus Distance	0.2m
Video	
Compression	H.265,H.264,MJPEG
Max. Resolution	4MP(2592×1520)
Streaming Capability	3 Streams
Stream / Frame Rate	Stream1: 2592×1520/2560×1440/2304×1296 / 1920×1080/1280×720 @25/30fps Stream2: D1/VGA/640×360/CIF/QVGA @25/30fps Stream3: VGA/CIF/QVGA @25/30fps
Bit Rate Control	CBR/VBR
Bit Rate	Stream1: 500kbps~12000kbps Stream2: 100kbps~6000kbps Stream3: 100kbps~3000kbps
Day/Night	ICR
Image Enhancement	HLC / Defog / WDR (120dB)
White Balance	Support
Gain Control	Auto/Manual
Noise Reduction	2D/3D DNR
Electronic Image Stabilization	Support
Smart IR	Support
Mirror	Support
Region of Interest	Support
Motion Detection	Support
Privacy Masking	Support

Audio	
Compression	G.711 ,RAW_PCM
Bit Rate	64kbps (G.711), 128kps (RAW_PCM)
Network	
Protocols:	IPv4/IPv6, 802.1x, HTTP, HTTPS, TCP/IP, UDP/IP, RTSP, DHCP, NTP, RTCP/RTP, PPPoE, SMTP, DNS, UPnP, FTP, APR, SNMP
Interoperability	ONVIF
Streaming Method	Unicast
Max. User Access	10 Users
Web Viewer	<IE11, Chrome, Firefox
Management Software	IMS 3.0
Smart Phone	IOS, Android
Intelligence	
IVS	Perimeter, Single Virtual Fences, Double Virtual Fences, Loiter, Multi Loiter, Object Left, Object Removed, Abnormal Speed, Converse, Illegal Parking, Signal Bad
Interface	
Ethernet	1 Ethernet (10/100 Base-T) RJ-45 Connector
Audio Interface	1ch Audio In,1ch Audio Out
Alarm	1ch Alarm In,1ch Alarm Out
RS485	Support
BNC Output	Support
Reset Button	Support
Edge Storage	Micro SD/SDHC, Max 128GB
Electrical	
Power Supply	DC12V/POE
Power Consumption	4W(IR LED OFF), 8W (IR LED ON)
Operating Temperature	Starting Temperature: -30°C ~ 60°C (-22°F ~ 140°F) Working Temperature: -40°C ~ 60°C (-40°F ~ 140°F)
Operating Humidity	Less than 90% RH
Ingress Protection	IP67,IK10
Certifications	CE / FCC
Casing	Metal
Dimensions	φ130×112mm
Net Weight	900g

SERVICES AVAILABLE

Technical Support
Installation and Setup
Maintenance
Application Support
Hardware Support
Guaranteed Warranty

ACCESSORIES

Optional :



Junction Box



Ceiling Mount



Wall Mount



Pendant Cup



Corner Mount



Pole Mount



VALVUR

We care about your
protection