

VAL-AZ-2MP-M

SYSTEM OVERVIEW

Advanced series delivers 1920x1080 format resolution video that consists of high clarity images. The camera adopts patent step-motor design to provide 350 degree pan and 90 degree tilt rotation capability.

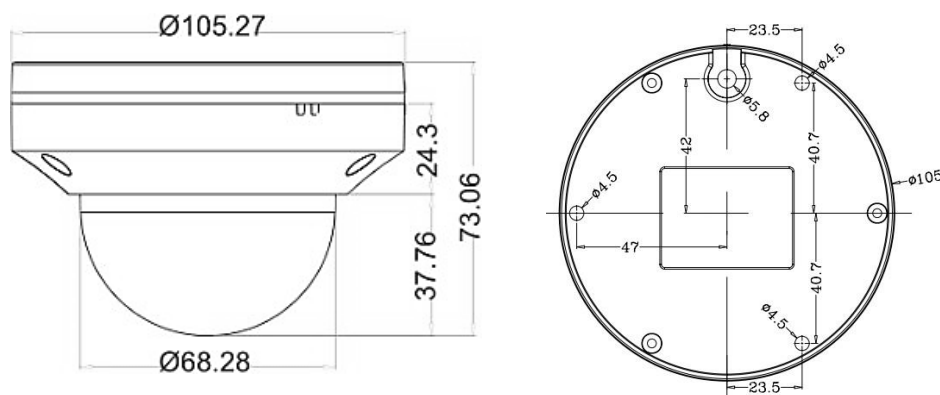
This network camera employs the latest System-on-Chip featuring H.265 video compression technology which can greatly reduce 70% network bandwidth and video storage space.

This series provides IP66 weatherproof protection feature.



- 2MP Network Mini IR PTZ Dome
- 1/2.8" Progressive Scan CMOS
- 25fps/30fps@2MP (1920*1080)
- Triple Streams
- Smart IR Up to 20m
- Low bitrate, Excellent low light performance
- WDR, 3D DNR
- ROI, Defog, HLC, Corridor mode, DIS
- IP66

DIMENSION



- Measurement is in millimeter (mm)

TECHNICAL SPECIFICATION

Camera	
Image Sensor	1/2.8" Progressive Scan CMOS
Effective Pixels	1920(H)×1080(V)
Scanning System	Progressive
Electronic Shutter	1/5-1/20000s
Min. illumination	Color:0.001Lux@(F1.2,AGC ON) B/W:0Lux@(IR LED ON)
S/N Ratio	55dB
IR Range	Up to 20m
IR On/Off Control	Auto/ Manual
IR LEDs	3pcs
Pan/Tilt/Rotation Range	Pan:0°~350°, Tilt:0°~90° Pan:0.1~120°/s ; Tilt:0.1~120°/s
Lens	
Lens Type	Motorized
Iris	Fixed Iris
Focal Length	2.8~8mm
F Number	F1.6
Angle of View	103.5°~ 50°
Focus Control	Motorized
Close Focus Distance	0.2m
Video	
Compression	H.265,H.264,MJPEG
Max. Resolution	1080P(1920×1080)
Streaming Capability	3 Streams
Stream / Frame Rate	Stream1: 1920×1080/1280×720 @25/30fps Stream2: D1/VGA/640×360/CIF/QVGA @25/30fps Stream3: VGA/CIF/QVGA @25/30fps
Bit Rate Control	CBR/VBR
Bit Rate	Stream1: 500kbps~12000kbps Stream2: 100kbps~6000kbps Stream3: 100kbps~3000kbps
Day/Night	ICR
Image Enhancement	HLC / Defog / WDR (96dB)
White Balance	Support
Gain Control	Auto/Manual
Noise Reduction	2D/3D DNR
Electronic Image Stabilization	Support
Smart IR	Support
Mirror	Support
Region of Interest	Support
Motion Detection	Support
Privacy Masking	Support

Audio	
Compression	N/A
Bit Rate	N/A
Network	
Protocols:	IPv4/IPv6, 802.1x, HTTP, HTTPS, TCP/IP, UDP/IP, RTSP, DHCP, NTP, RTCP/RTP, PPPoE, SMTP, DNS, UPnP, FTP, ARP, SNMP
Interoperability	ONVIF
Streaming Method	Unicast
Max. User Access	10 Users
Web Viewer	<IE11, Chrome, Firefox
Management Software	IMS 3.0
Smart Phone	IOS, Android
Intelligence	
IVS	Perimeter, Single Virtual Fences, Double Virtual Fences, Loiter, Multi Loiter, Object Left, Object Removed, Abnormal Speed, Converse, Illegal Parking, Signal Bad
Interface	
Ethernet	1 Ethernet (10/100 Base-T) RJ-45 Connector
Audio Interface	N/A
Alarm	N/A
RS485	N/A
BNC Output	N/A
Reset Button	Built-in
Edge Storage	N/A
Electrical	
Power Supply	DC12V/POE
Power Consumption	2W(IR LED OFF), 4.5W (IR LED ON)
Operating Temperature	Starting Temperature: -30°C ~ 50°C (-22°F ~ 122°F) Working Temperature: -30°C ~ 50°C (-22°F ~ 122°F)
Operating Humidity	Less than 90% RH
Ingress Protection	IP66
Certifications	CE / FCC
Casing	Metal
Dimensions	φ105×73mm
Net Weight	450g

ACCESSORIES

Optional :



Junction Box



Wall Mount

SERVICES AVAILABLE

- Technical Support
- Installation and Setup
- Maintenance
- Application Support
- Hardware Support
- Guaranteed Warranty



VALVUR

We care about your protection