

VAL-PD-2MP-FIR-S

SYSTEM OVERVIEW

The Array IR Megapixel Fixed camera delivers 2 MP resolution with 3.6mm lens. Based on H.265 compression format, it can save at least 30% storage space compared to H.265 camera.

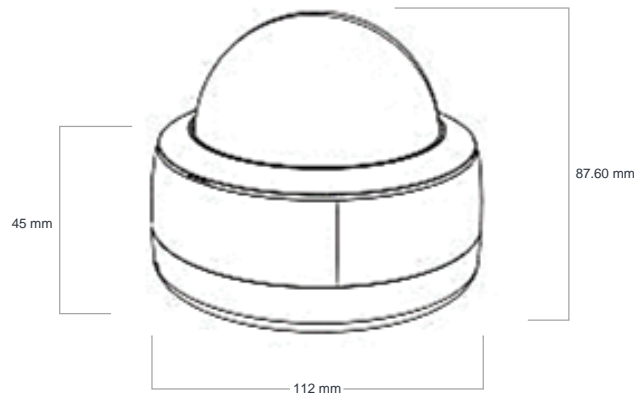
Supporting $\pm 10\%$ input voltage tolerance, this camera suits most unstable conditions for outdoor applications. Its 6KV lightning rating provides protection against camera and its structure from the effects of lightning.

The camera's elegant blend of aesthetics combined with its compact form factor provides an excellent choice for a variety of small to middle-size, indoor/ outdoor applications.



- 2MP Network Box Camera
- H.264 and H.265 dual-stream encoding
- Support privacy mask and motion detection
- DWDR, Day/Night(ICR), 3DNR, AWB, AGC, BLC
- Multiple network View: Web, CMS, Mobilephone
- Support Audio and POE function (Optional)
- 3.6 mm Fixed lens
- 15 pcs IR leds, IR distance 20M
- Support SD card, max 128G
- Support title setting, APP surveillance

DIMENSION



- Measurement is in millimeter (mm)

TECHNICAL SPECIFICATION

Hardware			
Model No		VAL-PD-2MP-FIR-S	
CPU		MSC313E+SC2053	
Min illumination		Color:0.01Lux/ F1.2 ; black &white 0 Lux/F1.2 (IR on)	
S/N Ratio		≥50dB(AGC OFF)	
E-Shutter		1/25---1/10000S	
WDR		D-WDR; > 80db	
DNR		3D DNR	
Lens		3.6 mm Fixed Lens @F1.2	
IR Leds		15 pcs IR Leds	
IR Distance		IR distance 20M	
Audio/talkback		1 CH MIC IN / Line IN (optional)	
Audio output		1 CH audio output (Option)	
Video Coding			
Coding		H.265 Main Profile ; H264, Baseline	
Resolution	Main stream	1920*1080 (1080P) / 1280*960 (960P) / 1280*720 (720P)	1920*1080 (1080P) / 1280*960 (960P) / 1280*720 (720P)
	Sub stream	704×576, 1-20 fps/640×480, 1-20 fps	704×576, 1-20 fps/640×480, 1-20 fps
Bit Rate		32 Kbps~ 8Mbps	
OSD Setting		channel name, date / time, stream info super position, stacking position adjustable	
ROI		Support	
Privacy Mask		Support	
Image setting		Brightness, Contractness, Saturation, Gain, Shutter, White Balance adjustable	
Network Function			
Alarm		Motion detection, Cover, video loss, ip address conflict, network off	
Storage		Manual 、 auto(cycling、 timing、 alarm on/off、 motion detection)	
SD Card		Max support 128G SD Card	
Alarm data transfer		FTP、 E-mail、 browser、 manage software	
Protocol		TCP/IP, DHCP, HTTP, HTTPS NTP, DNS, RTP RTSP	
ONVIF		ONVIF2.6	
Client browsing		Up to IE6.0 (built-in Web Server)browser, max 8 user	
Client APP		iPhone, iPad, Android	
General			
Power supply		DC12V /POE (POE optional)	

ACCESSORIES

Optional :



Junction Box



Ceiling Mount



Wall Mount



Pole Mount

SERVICES AVAILABLE

- Technical Support
- Installation and Setup
- Maintenance
- Application Support
- Hardware Support
- Guaranteed Warranty



VALVUR

We care about your protection