

VAL-EB-5MP-VIR

SYSTEM OVERVIEW

The Array IR Megapixel Fixed camera delivers 5MP resolution with 2.8-12mm lens. Based on H.265 compression format, it can save at least 40% storage space compared to H.264 camera.

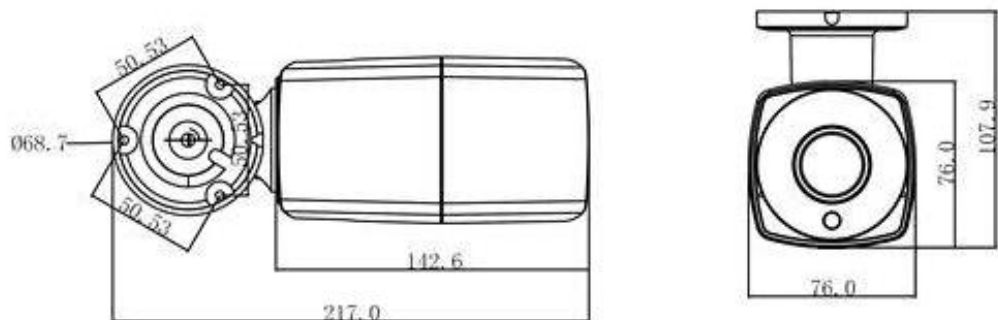
A day/night mechanical IR cut filter makes this camera ideal for applications with fluctuating lighting conditions, delivering color images during the day and automatically switching to monochrome as the scene darkens.

The camera's elegant blend of aesthetics combined with its compact form factor provides an excellent choice for a variety of small to middle-size, indoor/outdoor applications.



- 5MP Waterproof Array IR Bullet Camera
- H.264 and H.265 dual-stream encoding
- Support ROI and 8 pcs privacy mask
- DWDR, Day/Night(ICR), 3DNR, AWB, AGC, BLC
- Support title setting, AEeye APP
- Support Audio and POE function (Optional)
- 2.8-12mm Varifocal lens
- 42 pcs IR leds, IR distance 40M
- Multiple network View: Web, CMS, Mobilephone

DIMENSION



- Measurement is in millimeter (mm)

TECHNICAL SPECIFICATION

Hardware		
Model No	VAL-EB-5MP-VIR	
Min illumination	Color:0.01Lux@F1.2; black &white 0.001lux@F1.2	
S/N Ratio	≥50dB(AGC OFF)	
E-Shutter	1/25---1/10000S	
WDR	D-WDR; > 80db	
DNR	3D DNR	
Lens	2.8-12mm varifocal Lens @F1.2	
IR Leds	42 pcs IR Leds	
IR Distance	IR distance 40M	
Audio/talkback	1 CH MIC IN / Line IN (optional)	
Audio output	1 CH audio output (Option)	
Video Coding		
Coding	H.265 Main Profile ; H264, Baseline	
Resolution	Main stream	2560*1920 (5M), 2560*1440 (4M)、2048*1536 (3M)、1920*1080 (1080P)
	Sub stream	1280*960 (960P), 1280*720 (720P), 704*576 (D1) 640*480(VGA), 352*288 (CIF), 176*144 (QVGA)
Bit Rate	32 Kbps~ 8Mbps	
OSD Setting	channel name, date / time, stream info super position, stacking position adjustable	
ROI	Support	
Privacy Mask	Support	
Intelligent Analysis	Support Area detection/target count/object left and lost/Line Crossing	
Image setting	Brightness, Contractness, Saturation, Gain, Shutter, White Balance adjustable	
Network Function		
Alarm	Motion detection, Cover, video loss, ip address conflict, network off	
Storage	Manual 、 auto (cycling、 timing、 alarm on/off、 motion detection)	
SD Card	Max support 128G SD Card	
Alarm data transfer	FTP、 E-mail、 browser、 manage software	
Protocol	TCP/IP, DHCP, HTTP, HTTPS NTP, DNS, RTP RTSP	
ONVIF	ONVIF2.6	
Client browsing	Up to IE6.0 (built-in Web Server) browser, max 8 user	
Client APP	iPhone, iPad, Android	
General		
Power supply	DC12V /POE (POE optional)	

ACCESSORIES

Optional :



Junction Box



Pole Mount

SERVICES AVAILABLE

- Technical Support
- Installation and Setup
- Maintenance
- Application Support
- Hardware Support
- Guaranteed Warranty



VALVUR

We care about your protection